

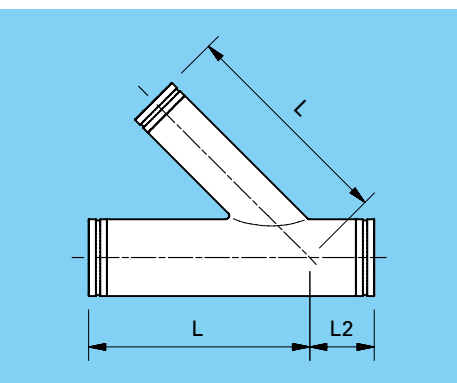
## 45° LATERAL QUICKLOCK TEE

### STEEL

PN21 ÷ PN69  
PSI 300 ÷ PSI 1000

### TL61C

standard dimension



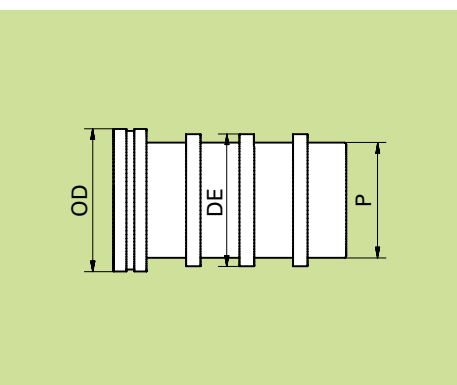
## 45° REDUCING LATERAL QUICKLOCK TEE

### STEEL

PN21 ÷ PN69  
PSI 300 ÷ PSI 1000

### TL62C

standard dimension



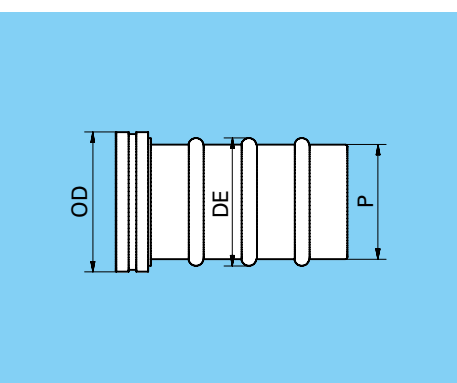
## QUICKLOCK HOSE SPIGOT MACHINED PIPE

### STEEL

PN21 ÷ PN69  
PSI 300 ÷ PSI 1000

### TL44C

on request state  
outlet diameter



## QUICKLOCK HOSE SPIGOT ROLLED PIPE

### STEEL

PN21 ÷ PN69  
PSI 300 ÷ PSI 1000

### TL44R

on request state  
outlet diameter

