

QUICKLOCK PIPE TYPE C - SNOW

WATER APPLICATION - SNOW MAKING BUSINESS.

- Trasporto d'acqua – Utilizzo nei sistemi d'innervamento artificiale.
- Wasser, Kunstschnee - Erzeugung.
- Transport d'eau pour les activités de neige artificielle.
- Aplicación de agua - Utilizar en los sistemas de fabricación de nieve.

TECHNICAL NOTES:

Pipes are bundled in hexagonal rigid bundles to ease unloading, handling and safety at jobsite. Pipes can be manufactured with any thickness available on the market, options indicated are the lower to guarantee pressure rated in application with couplings proposed. Standard lengths are 6 m / 19 ft 8,2 in for truck and 5,85 m / 19 ft 2,3 in for container. Whenever pipes are placed in trench it is imperative making hydraulic test before covering with earth.

PIPE SURFACE TREATMENT OPTIONS:

- 1) Black, untreated. Suitable for temporary pipeline.
- 2) Hot dip galvanized EN1461:2009 lead free. Suitable for a long lasting protection from corrosion.
- 3) External anticorrosion coating: layer polyethylene, layer polypropylene, fusion bonded epoxy, dual layer fusion bonded epoxy. Internal coating: liquid paint, flow coat. These external and internal coatings are available only in case of large projects.

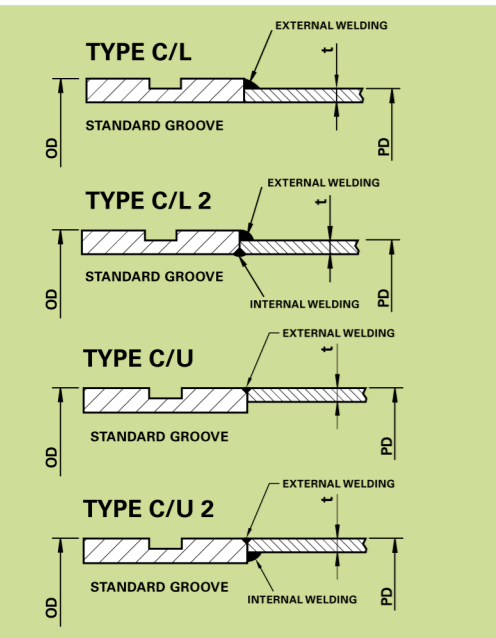
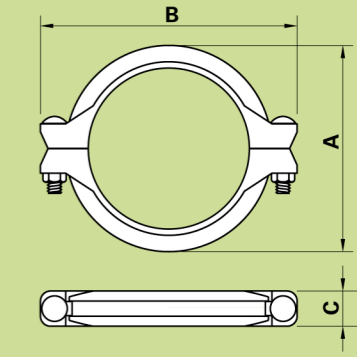


Pipes Type C - Standard cut grooved dimensions

Nominal size In / DN	O.D. inches mm	P.D. inches mm	Nominal Pressure psi / bar	t inches mm	Steel grade US ** EU	Grooved ends type	Black pipe approx. weight 6 m lbs / Kg *	→	Approx. Dimensions			Groove	Approx. Weight lbs / Kg		
									A in / mm	B in / mm	C in / mm				
2" 50	2.375 60.3	2.375 60.3	580 40	0.060 1.5	Grade B S235	C/U standard	29.8 13.5	2" 50	2.375 60.3	580 40	3.27 83	4.92 125	1.74 44	standard	1.7 0.8
2 1/2" 65	3.000 76.1	70	580 40	0.060 1.5	Grade B S235	C/L standard	35.1 15.9	2 1/2" 65	3.000 76.1	580 40	3.94 100	5.71 145	1.78 45	standard	1.9 0.9
3" 80	3.500 88.9	80	580 40	0.060 1.5	Grade B S235	C/L2 standard	39.9 18.1	3" 80	3.500 88.9	580 40	4.53 115	6.30 160	1.78 45	standard	2.9 1.3
4" 100	4.500 114.3	108	580 40	0.080 2	Grade B S235	C/L2 standard	71 32.2	4" 100	4.500 114.3	580 40	5.80 147	8.03 204	2.13 54	standard	4.1 1.9
5" 125	5.500 139.7	130	580 40	0.080 2	Grade B S235	C/L2 standard	86.4 39.2	5" 125	5.500 139.7	580 40	6.80 173	9.59 244	2.13 54	standard	6.3 2.9
5" 125	5.563 141.3	130	580 40	0.080 2	Grade B S235	C/L2 standard	87.3 39.6	5" 125	5.563 141.3	580 40	6.88 175	10.07 256	2.13 54	standard	5.8 2.6
6" 150	6.625 168.3	159	580 40	0.100 2.5	Grade B S235	C/L2 standard	131 59.4	6" 150	6.625 168.3	580 40	8.00 203	11.07 281	2.28 58	standard	7 3.2
8" 200	8.625 219.1	203	580 40	0.119 3	X52 S355	C/L2 standard	203.3 92.2	8" 200	8.625 219.1	580 40	10.34 263	13.97 355	2.32 59	standard	12.4 5.6
8" 200	8.625 219.1	219.1	580 40	0.119 3	X52 S355	C/U2 standard	217 98.4	8" 200	8.625 219.1	580 40	10.34 263	13.97 355	2.32 59	standard	12.4 5.6

STANDARD Couplings - Ductile Iron

Nominal size In / DN	Groove size In / mm	Nominal Pressure psi / bar	Approx. Dimensions			Groove	Approx. Weight lbs / Kg
			A in / mm	B in / mm	C in / mm		
2" 50	2.375 60.3	580 40	3.27 83	4.92 125	1.74 44	standard	1.7 0.8
2 1/2" 65	3.000 76.1	580 40	3.94 100	5.71 145	1.78 45	standard	1.9 0.9
3" 80	3.500 88.9	580 40	4.53 115	6.30 160	1.78 45	standard	2.9 1.3
4" 100	4.500 114.3	580 40	5.80 147	8.03 204	2.13 54	standard	4.1 1.9
5" 125	5.500 139.7	580 40	6.80 173	9.59 244	2.13 54	standard	6.3 2.9
5" 125	5.563 141.3	580 40	6.88 175	10.07 256	2.13 54	standard	5.8 2.6
6" 150	6.625 168.3	580 40	8.00 203	11.07 281	2.28 58	standard	7 3.2
8" 200	8.625 219.1	580 40	10.34 263	13.97 355	2.32 59	standard	12.4 5.6
8" 200	8.625 219.1	580 40	10.34 263	13.97 355	2.32 59	standard	12.4 5.6

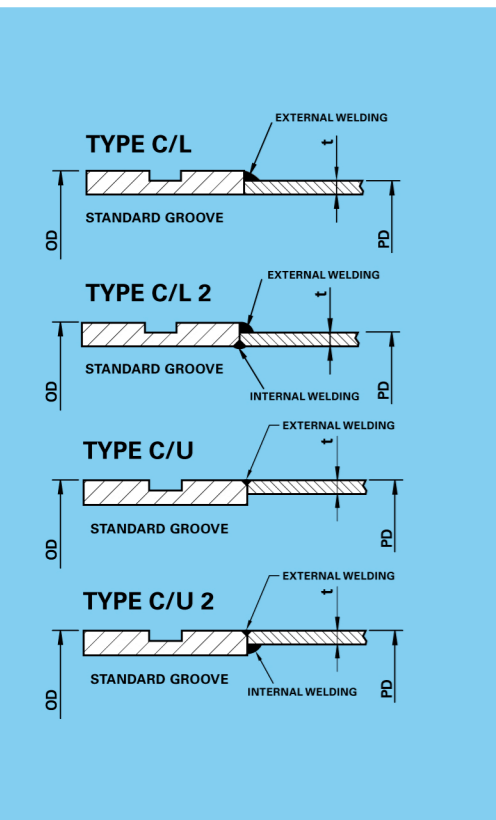
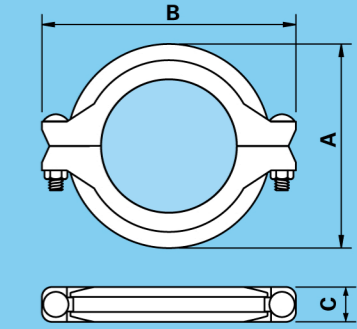


Pipes Type C - Standard Cut grooved dimensions

Nominal size In / DN	O.D. inches mm	P.D. inches mm	Nominal Pressure psi / bar	t inches mm	Steel grade US ** EU	Grooved ends type	Black pipe approx. weight 6 m lbs / Kg *	→	Approx. Dimensions			Groove	Approx. Weight lbs / Kg		
									A in / mm	B in / mm	C in / mm				
2" 50	2.375 60.3	500 60.3	1162 80	0.080 2	Grade B S235	C/U standard	38.8 17.6	2" 50	2.375 60.3	1162 80	3.63 92	5.88 149	1.88 48	standard	2.6 1.2
2 1/2" 65	3.000 76.1	70	1162 80	0.080 2	X52 S355	C/L standard	45.7 20.7	2 1/2" 65	3.000 76.1	1162 80	4.38 111	6.63 168	1.88 48	standard	3.2 1.5
3" 80	3.500 88.9	80	1162 80	0.080 2	X52 S355	C/L2 standard	52.3 23.7	3" 80	3.500 88.9	1162 80	5.00 127	7.13 181	1.88 48	standard	3.7 1.7
4" 100	4.000 114.3	108	1000 69	0.080 2	X52 S355	C/L2 standard	71 32.2	4" 100	4.000 114.3	1000 69	6.13 156	8.88 226	2.13 54	standard	6.7 3
4" 100	4.000 114.3	108	1162 80	0.119 3	X52 S355	C/L2 standard	104.3 47.3	4" 100	4.000 114.3	1162 80	6.13 156	8.88 226	2.13 54	standard	6.7 3
5" 125	5.500 139.7	130	1162 80	0.119 3	X52 S355	C/L2 standard	126.8 57.5	5" 125	5.500 139.7	1162 80	8.63 219	10.65 270	2.13 54	standard	10 4.5
5" 125	5.563 141.3	130	1162 80	0.119 3	X52 S355	C/L2 standard	127.7 57.9	5" 125	5.563 141.3	1162 80	7.75 197	10.65 270	2.13 54	standard	10.6 4.8
6" 150	6.625 168.3	159	1000 69	0.119 3	X52 S355	C/L2 standard	155.9 70.7	6" 150	6.625 168.3	1000 69	8.63 219	11.88 302	2.13 54	standard	12 5.4
6" 150	6.625 168.3	159	1162 80	0.126 3.2	X52 S355	C/L2 standard	165.6 75.11	6" 150	6.625 168.3	1162 80	8.63 219	11.88 302	2.13 54	standard	12 5.4
8" 200	8.625 219.1	219.1	800 55	0.142 3.6	X52 S355	C/U2 standard	258 117	8" 200	8.625 219.1	800 55	11.00 279	14.75 375	2.50 63	standard	20.8 9.4
10" 250	10.750 273.0	273	800 55	0.156 4	X52 S355	C/U2 standard	360.5 163.5	10" 250	10.750 273	800 55	13.63 346	17.13 435	2.63 67	standard	31.1 14.1
12" 300	12.750 323.9	323.9	800 55	0.196 5	X52 S355	C/U2 standard	529.1 240	12" 300	12.750 323.9	800 55	15.63 397	19.25 489	2.63 67	standard	27.8 12.6

HP couplings - Ductile Iron

Nominal size In / DN	Groove size In / mm	Nominal Pressure psi / bar	Approx. Dimensions			Groove	Approx. Weight lbs / Kg
			A in / mm	B in / mm	C in / mm		
2" 50	2.375 60.3	1162 80	3.63 92	5.88 149	1.88 48	standard	2.6 1.2
2 1/2" 65	3.000 76.1	1162 80	4.38 111	6.63 168	1.88 48	standard	3.2 1.5
3" 80	3.500 88.9	1162 80	5.00 127	7.13 181	1.88 48	standard	3.7 1.7
4" 100	4.000 114.3	1000 69	6.13 156	8.88 226	2.13 54	standard	6.7 3
4" 100	4.000 114.3	1162 80	6.13 156	8.88 226	2.13 54	standard	6.7 3
5" 125	5.500 139.7	1162 80	8.63 219	10.65 270	2.13 54	standard	10 4.5
5" 125	5.563 141.3	1162 80	7.75 197	10.65 270	2.13 54	standard	10.6 4.8
6" 150	6.625 168.3	1000 69	8.63 219	11.88 302	2.13 54	standard	12 5.4
6" 150	6.625 168.3	1162 80	8.63 219	11.88 302	2.13 54	standard	12 5.4
8" 200	8.625 219.1	800 55	11.00 279	14.75 375	2.50 63	standard	20.8 9.4
10" 250	10.750 273	800 55	13.63 346	17.13 435	2.63 67	standard	31.1 14.1
12" 300	12.750 323.9	800 55	15.63 397	19.25 489	2.63 67	standard	27.8 12.6



✓ - Most Popular.

* - Hot dip galvanized pipe weight +10%.

** - US Steel grade is for reference only.